

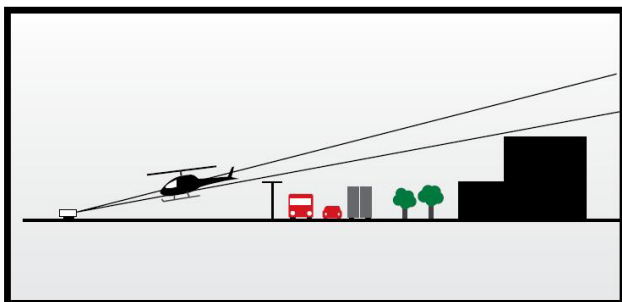
CHAPI

Heliport Approach Path Indicators

CHAPI system is unique designed to provide the pilot with safety and accurate glide slope on final approach path to the heliport.

One set of HAPI system consist of 2 units CHAPI lamps housing assemblies are seen by pilots in combinations of red and white and green color.

Under these conditions ICAO Annex 14 Vol.II recommends the helipad to be complemented with the aid of Visual Alignment Systems.

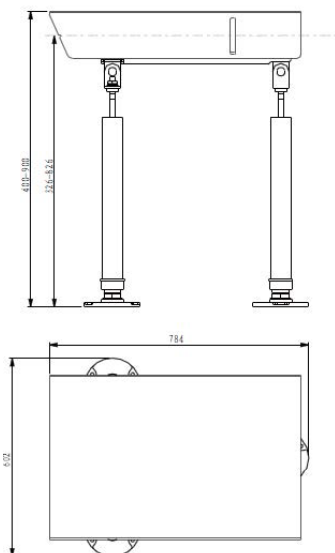


1 unit CHAPI lamp housing assembly

Key Features:

- Red-Green-White color transition clearly.
- Each unit consist of an electrical angle device to appear the elevation angles.
- Accuracy±0.01° , 0.6 minutes of arc.
- In the event of the misalignment of unit exceed the threshold system will switch off automatically.
- 3 legs with flange base adjustable in height, easy installations.
- Bulbs and color filter automatically positioned, no need extra position when replacement.
- Aviation yellow painting UV stabilize, corrosion resistant.

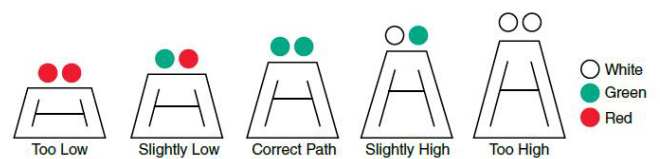
Size:



Technical:

- Power:6.6A or AC220V/50Hz.
- Light source:Halogen lamps.
- Rated power:4×50W/per unit/or 4×100W/per unit.
- Weight:30KG.

Display Code:



Standard System Package:

- includes:
- 2×units CHAPI lamp housing(Bulbs pre-installed inside)
 - 2 sets of support legs.(6×frangible legs).
 - 2 Sections of cable conduits.

Order Options:

- Power Supply:6.6A or AC220V/50Hz.
- Rated power:4×50W/per unit/or 4×100W/per unit.
- Color:White-Green-Red; White-Red; Or others.

Airport PAPI lights please refer to our airport lights category.